

CONSTRUCTION

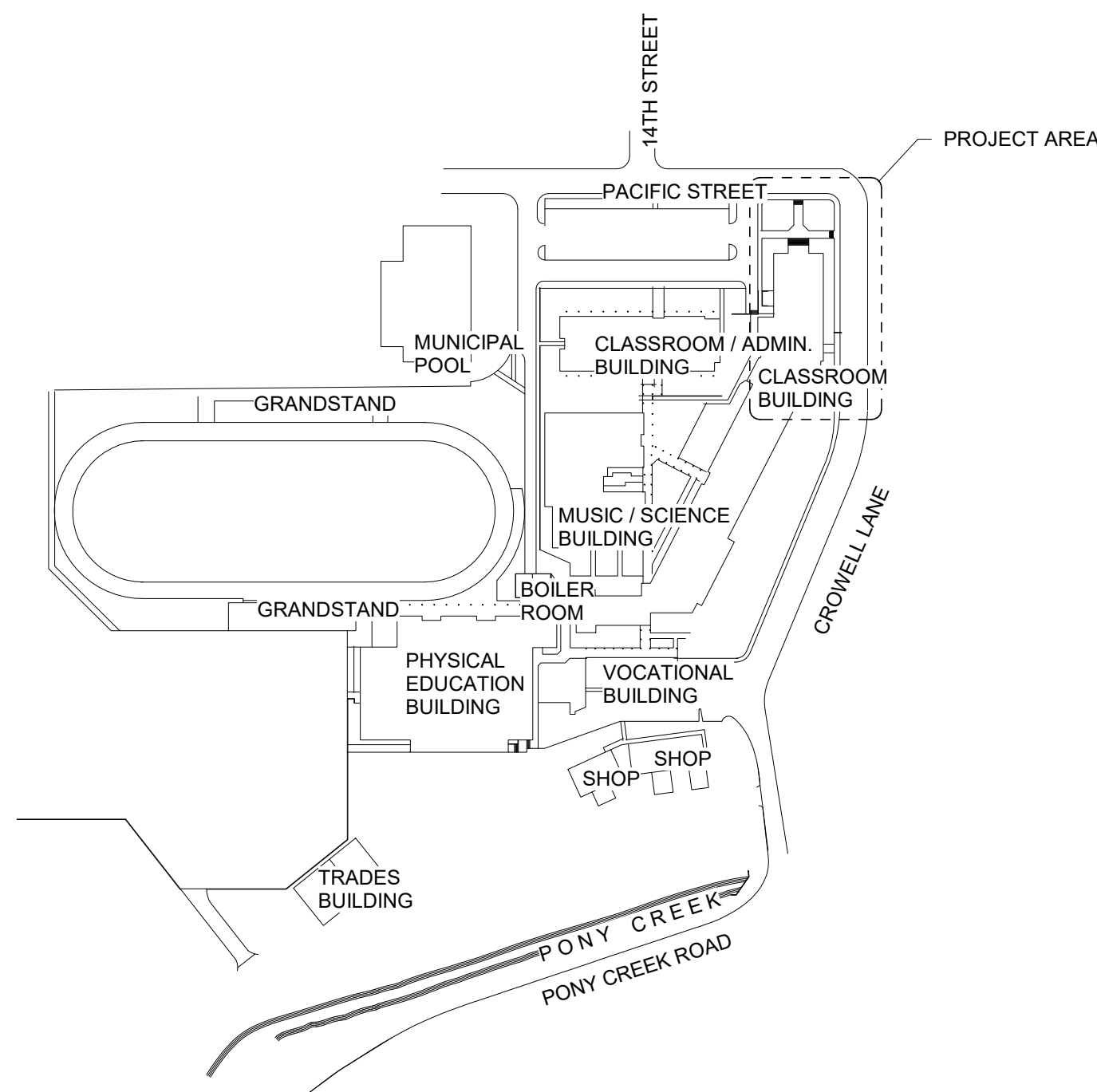
REVISIONS:

#	DATE	DESCRIPTION

DATE: JUNE 2021

SHEET TITLE:
VICINITY MAP, DEMO FLOOR PLAN

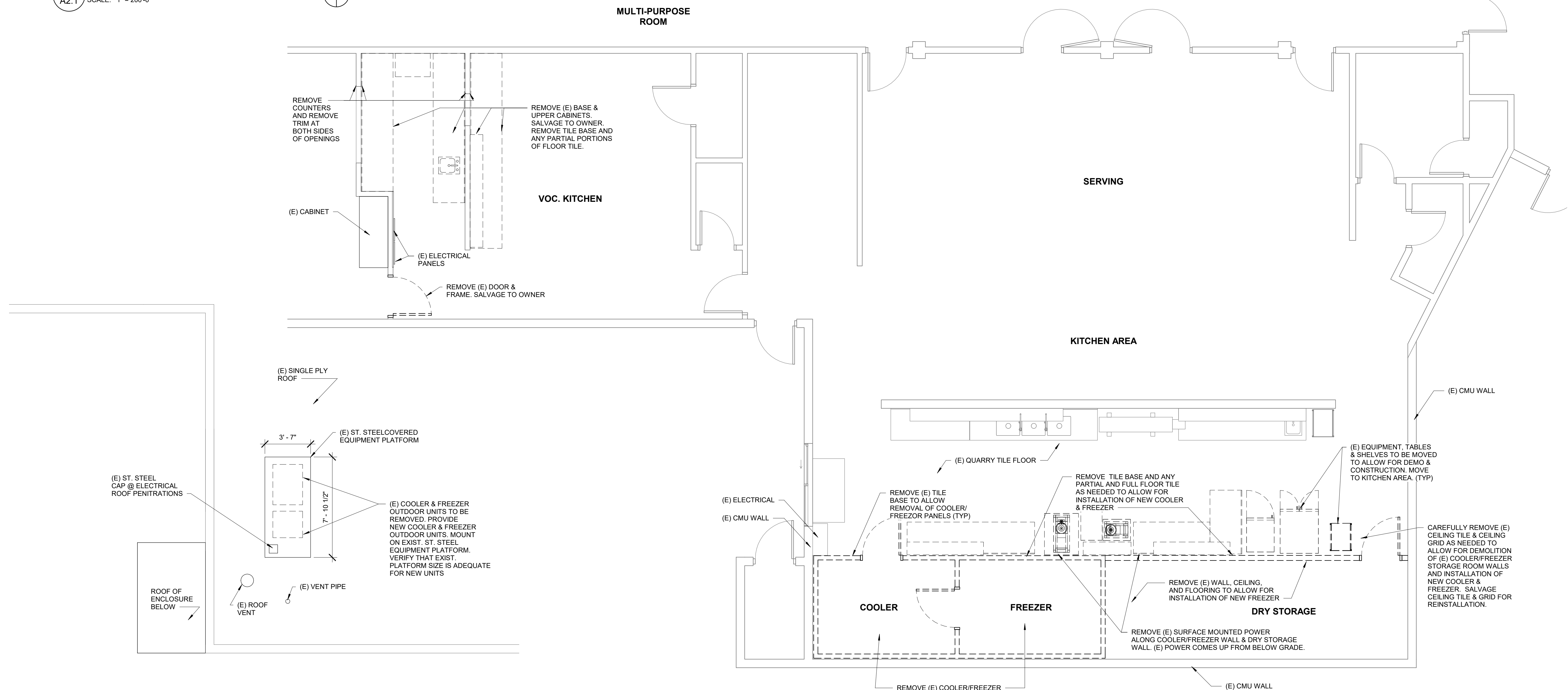
A2.1



2 NBHS CAMPUS MAP
A2.1 SCALE: 1" = 200'-0"

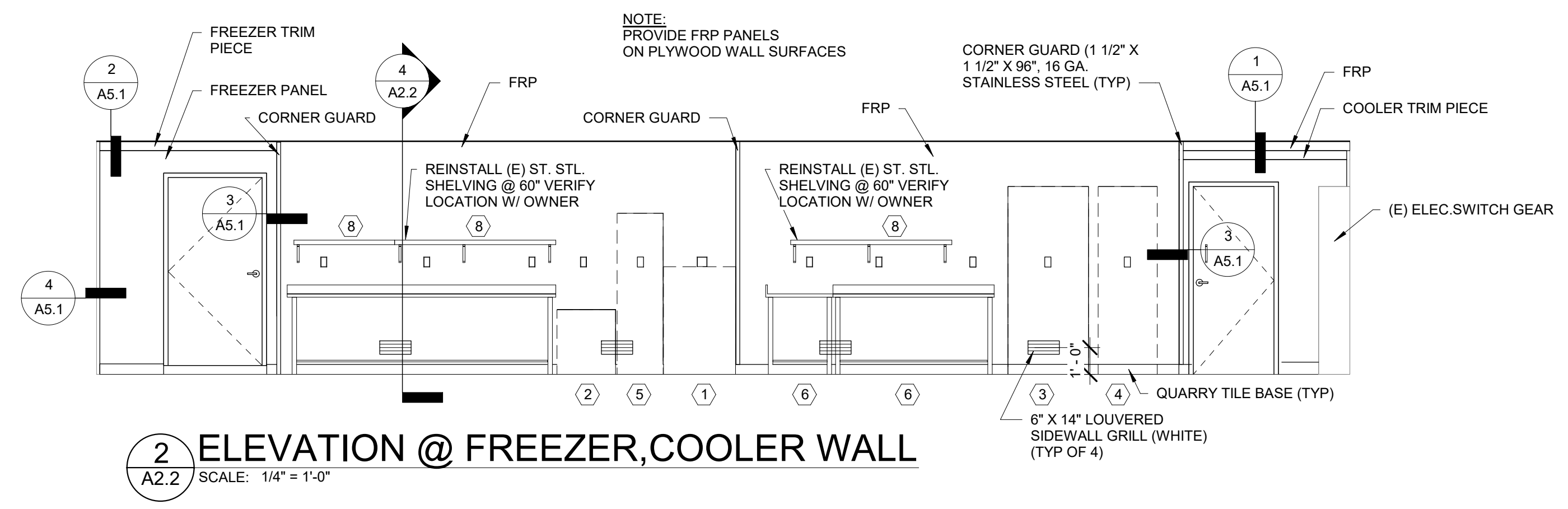
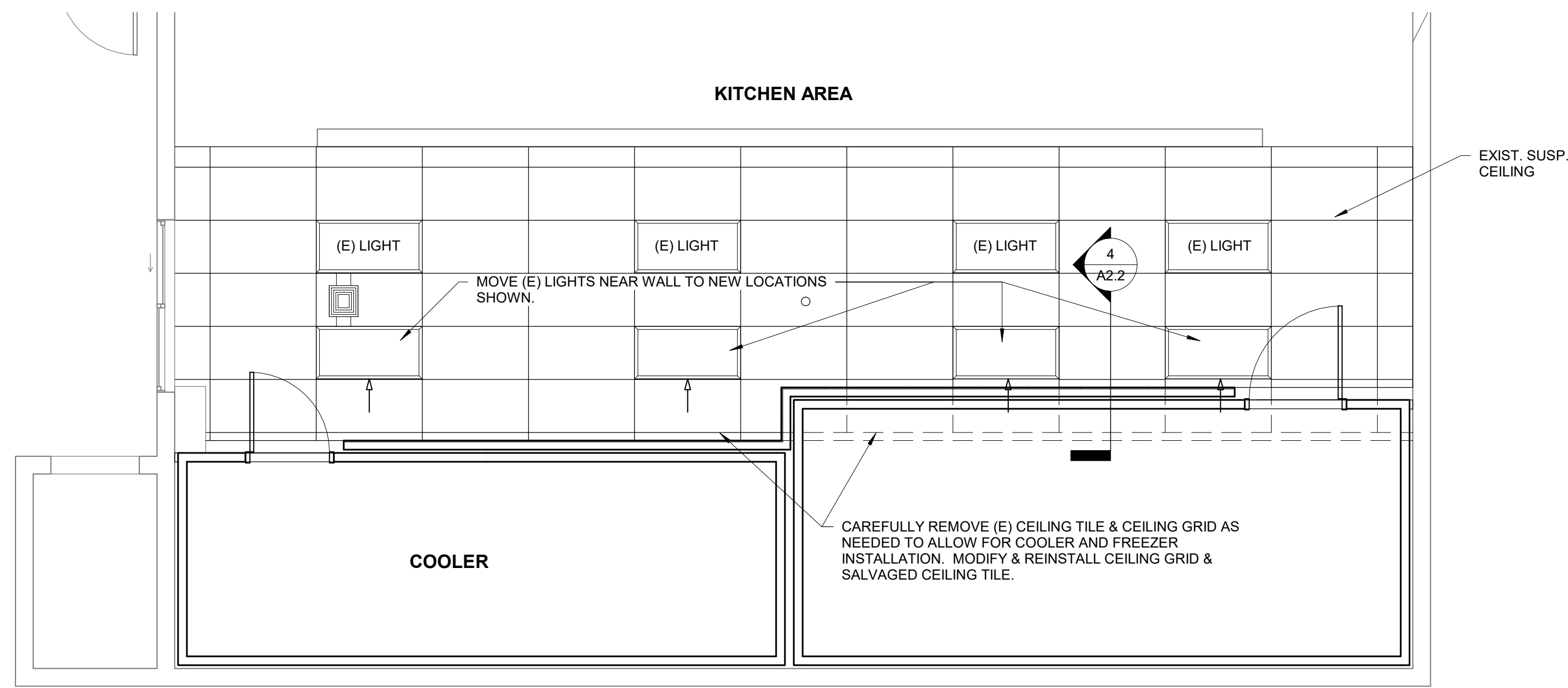
SHEET INDEX

- ARCHITECTURE
A2.1 VICINITY MAP, DEMO FLOOR PLAN
A2.2 FLOOR PLAN, CEILING PLAN, INTERIOR ELEVATION
A5.1 WALL DETAILS

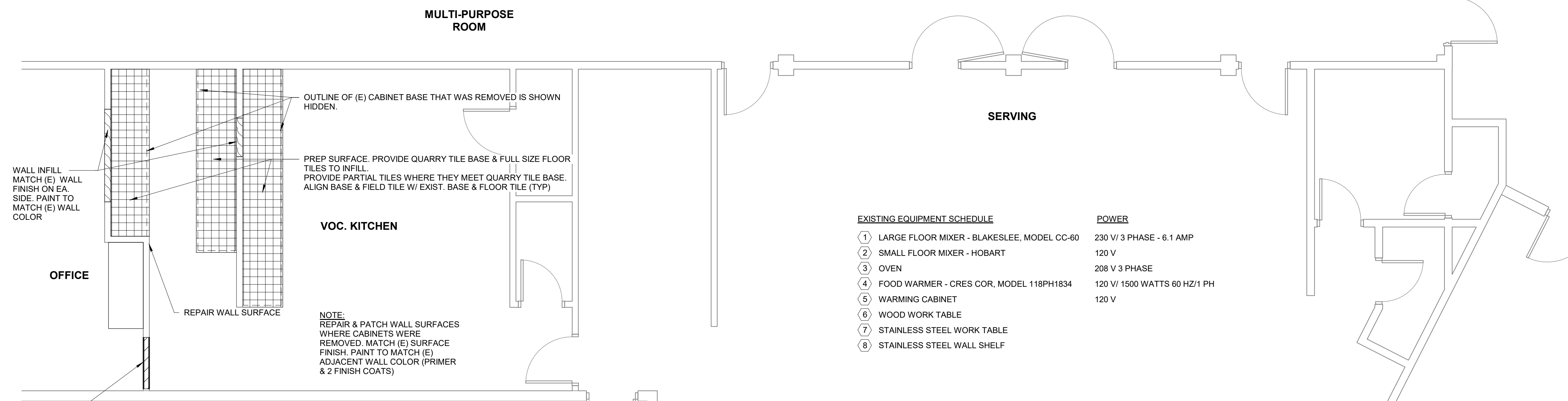


3 PARTIAL EXISTING ROOF PLAN
A2.1 SCALE: 1/4" = 1'-0"

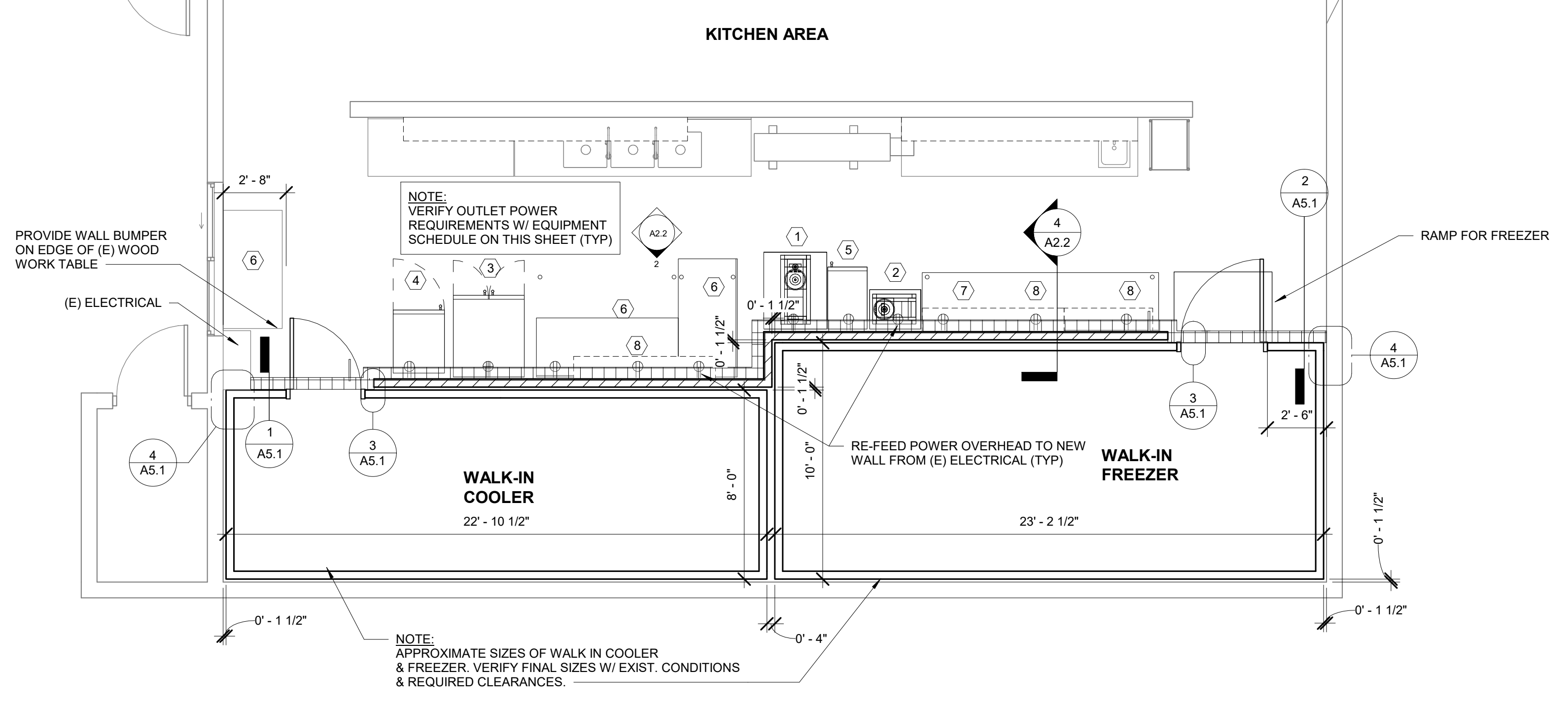
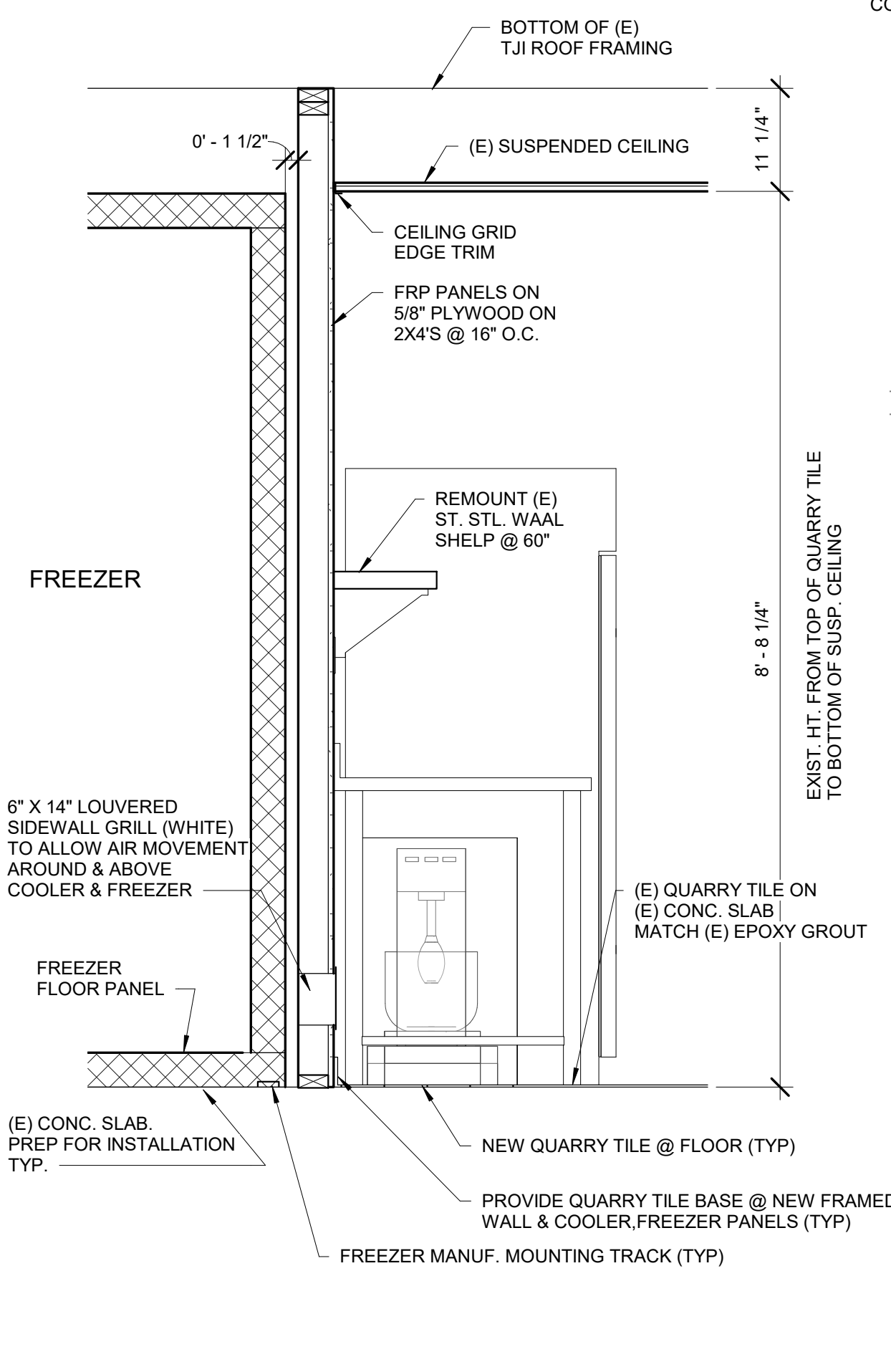
1 KITCHEN AREA - FLOOR PLAN - EXISTING/DEMO
A2.1 SCALE: 1/4" = 1'-0"



3 REFLECTED CEILING PLAN
A2.2 SCALE: 1/4" = 1'-0"



EXISTING EQUIPMENT SCHEDULE	POWER
1 LARGE FLOOR MIXER - BLAKESLEE, MODEL CC-60	230 V/ 3 PHASE - 6.1 AMP
2 SMALL FLOOR MIXER - HOBART	120 V
3 OVEN	208 V 3 PHASE
4 FOOD WARMER - CRES COR, MODEL 118PH1834	120 V/ 1500 WATTS 60 HZ/1 PH
5 WARMING CABINET	120 V
6 WOOD WORK TABLE	
7 STAINLESS STEEL WORK TABLE	
8 STAINLESS STEEL WALL SHELF	



4 WALL SECTION @ FREEZER
A2.2 SCALE: 3/4" = 1'-0"

1 KITCHEN AREA - FLOOR PLAN - NEW CONSTRUCTION
A2.2 SCALE: 1/4" = 1'-0"

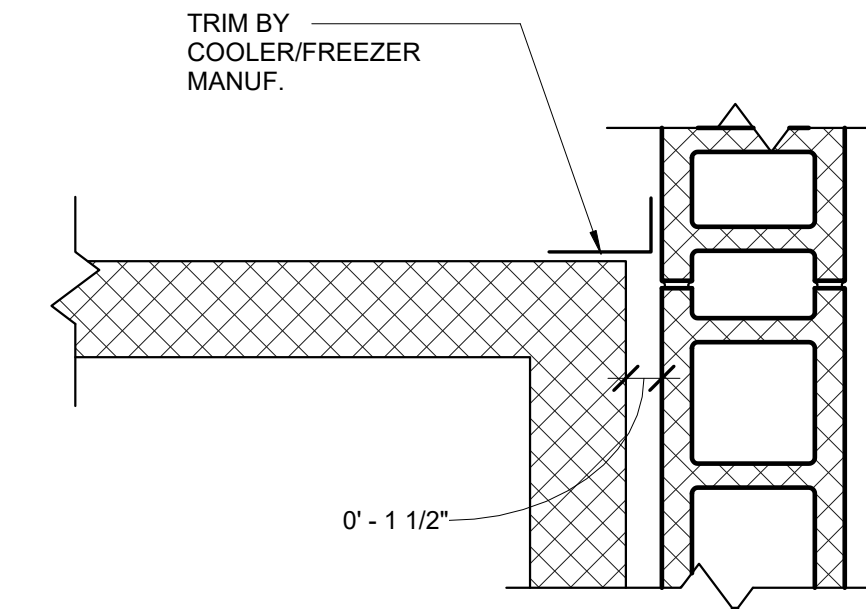
CONSTRUCTION

#	DATE	DESCRIPTION

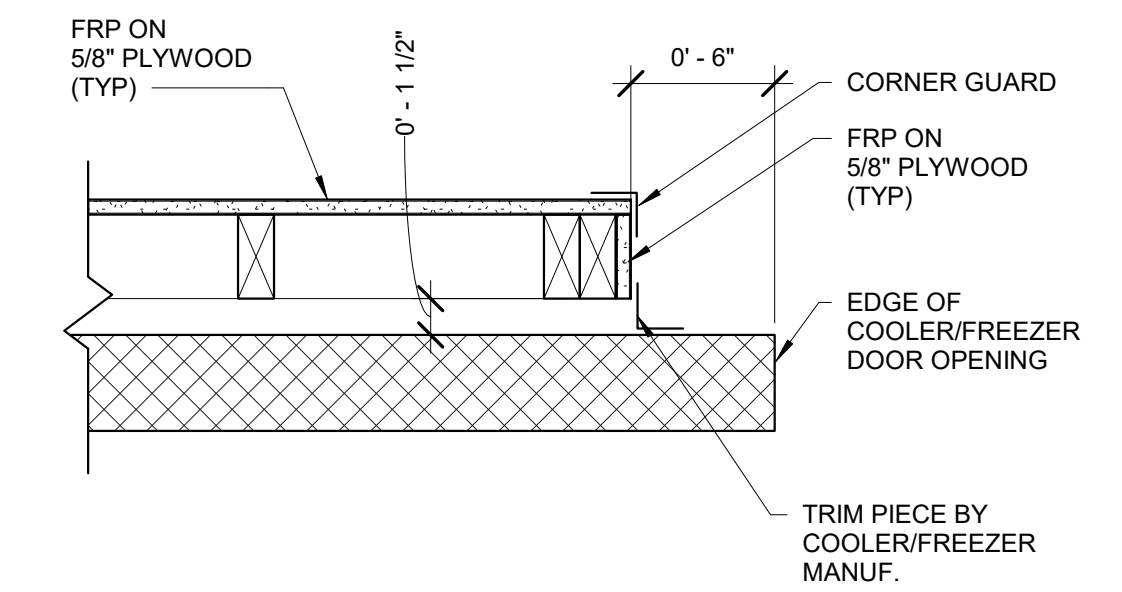
DATE: JUNE 2021

SHEET TITLE:
WALL DETAILS

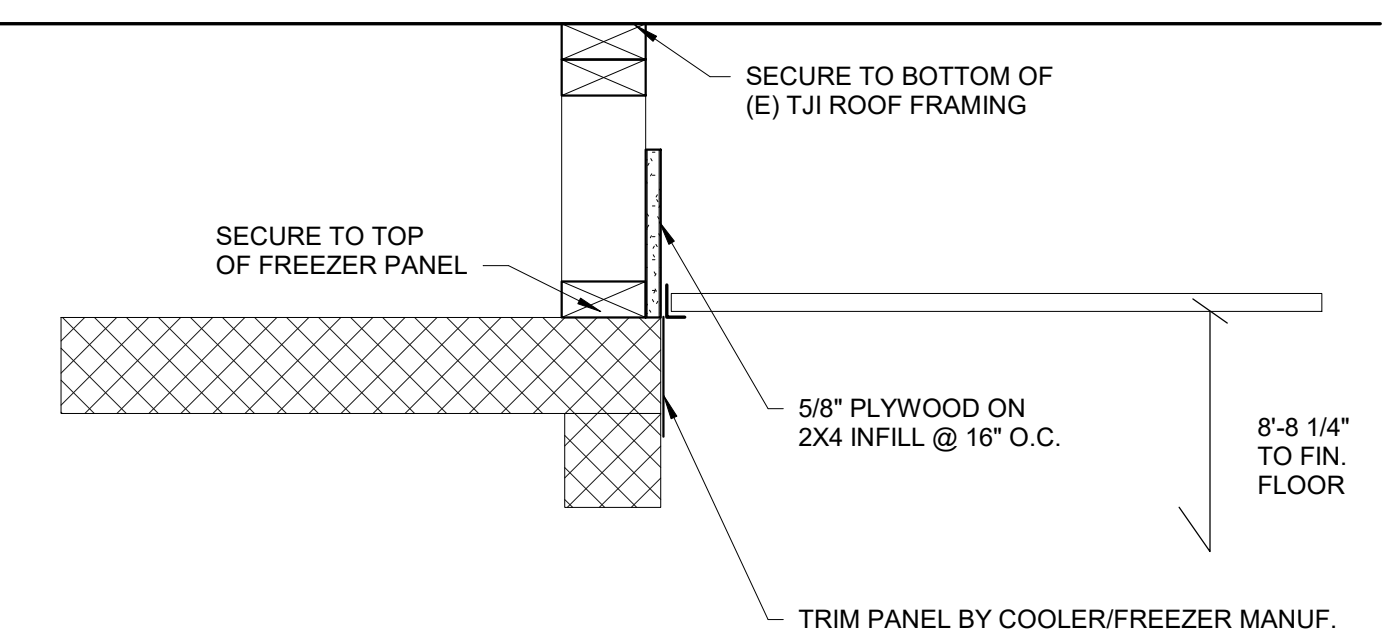
A5.1



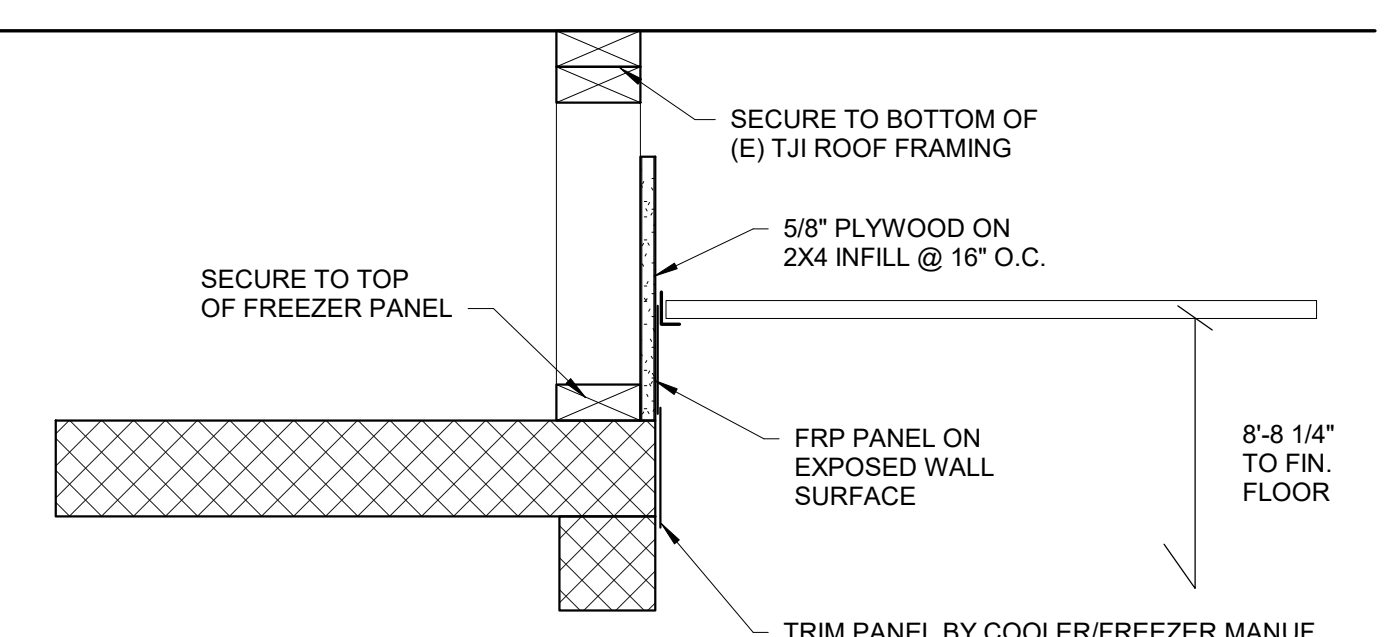
4 COOLER/FREEZER PANEL AT CMU
A5.1 SCALE: 1 1/2" = 1'-0"



3 COOLER/FREEZER PANEL AT FRAMING
A5.1 SCALE: 1 1/2" = 1'-0"



2 DETAIL ABOVE FREEZER DOOR
A5.1 SCALE: 1 1/2" = 1'-0"



1 DETAIL ABOVE COOLER DOOR
A5.1 SCALE: 1 1/2" = 1'-0"